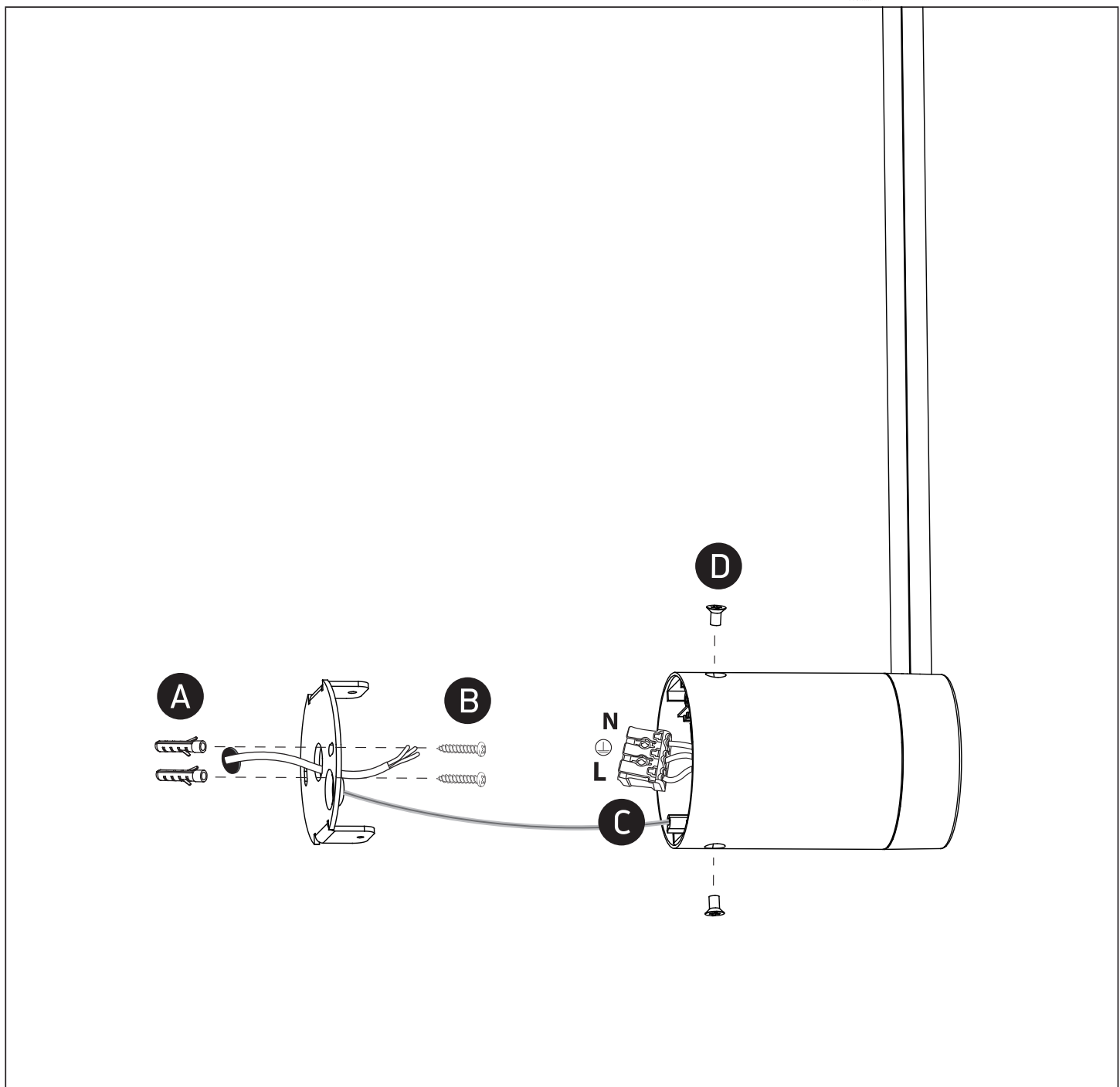
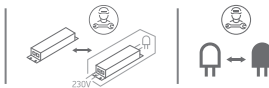


# INSTALLATION MANUAL

65148A



230V | SMD LED | 12W | IP20 | Aluminium  
Complete with 280mA driver.



### Warnings:

1. Make sure that the product is installed properly before connecting to electricity.
2. Do not cover the fitting.
3. Maintenance and installation should only be carried out by a professional electrician.