

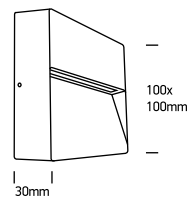
# INSTALLATION MANUAL

67359A

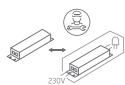
**ecolight**



DARK LIGHT

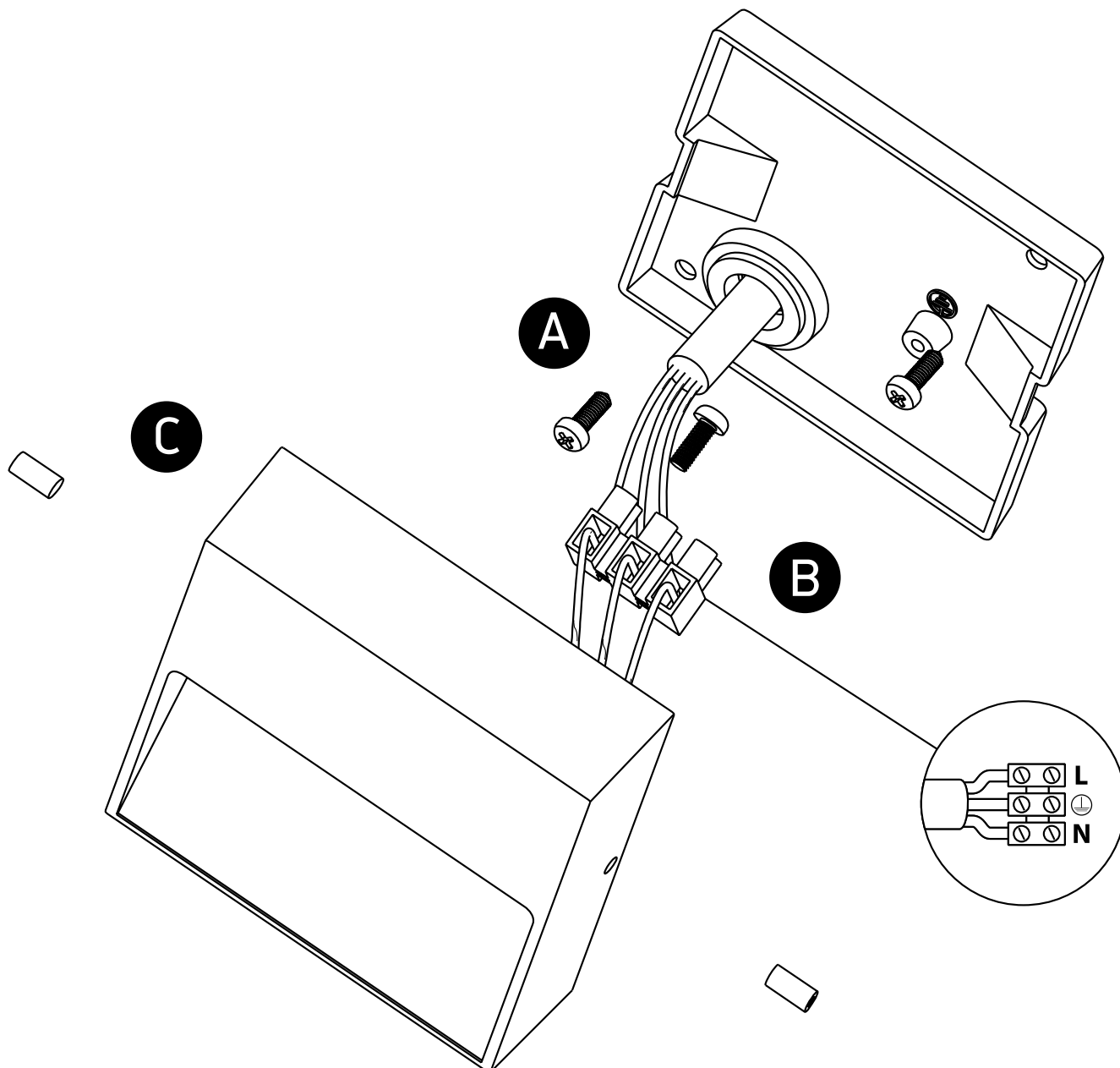


100-240V | SMD 5630 | 4W | IP54 | Die cast  
Complete with 350mA driver.



80 CRI

**one**  
LIGHT



## Warnings:

1. Make sure that the product is installed properly before connecting to electricity.
2. Do not cover the fitting.
3. Maintenance and installation should only be carried out by a professional electrician.