

# INSTALLATION MANUAL

65148B

LED  
BUILT IN



ADJUSTABLE

90  
CRI

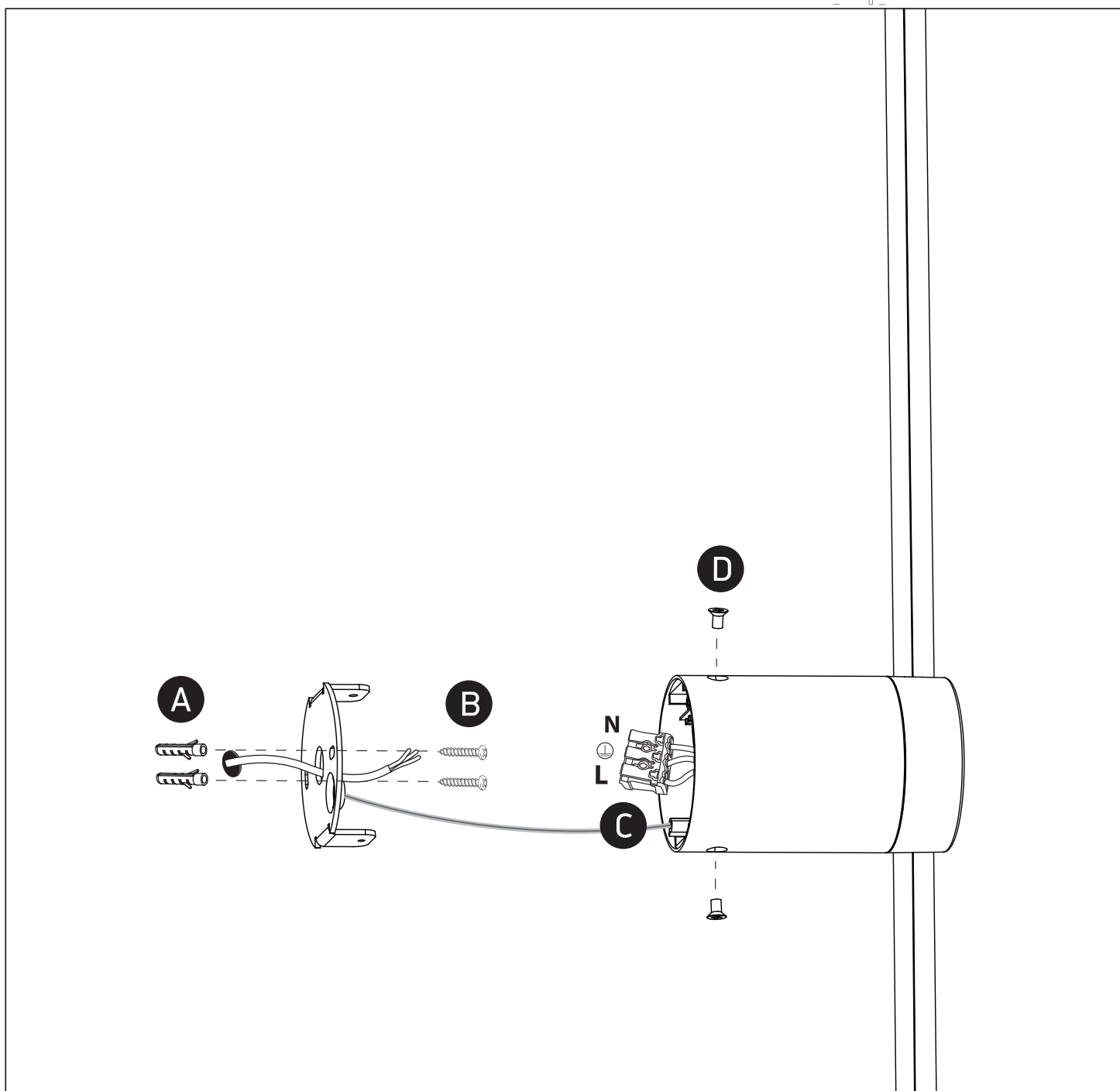
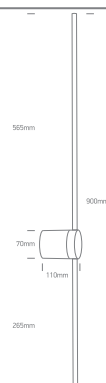
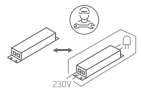
CE EAC UK  
CA

RoHS  
COMPLIANT



NOT  
DIMMABLE

230V | SMD LED | 15W | IP20 | Aluminium  
Complete with 350mA driver.



## Warnings:

1. Make sure that the product is installed properly before connecting to electricity.
2. Do not cover the fitting.
3. Maintenance and installation should only be carried out by a professional electrician.