

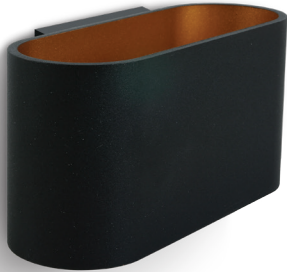


# 60056

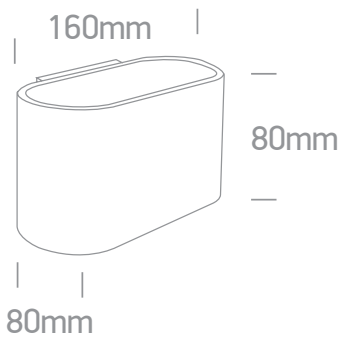
## Product Description

100-240V G9 indoor decorative wall light.

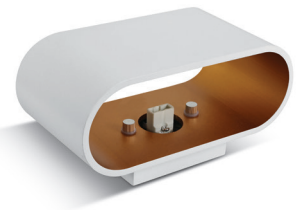
Complies with standard EN60598-1 and any other specific standards.



## Dimensions



Order Code	Lampholder	Finish
60056/W	G9	White
60056/B	G9	Black



## Technical Data

**Input Voltage:** 100-240V  
**Input Frequency:** 50/60Hz  
**Watts:** 30W  
**Number of lamps:** 1  
**IP rate:** IP20

**Construction:** Aluminium  
**Diffuser:** N/A  
**Warranty:** 2 years

