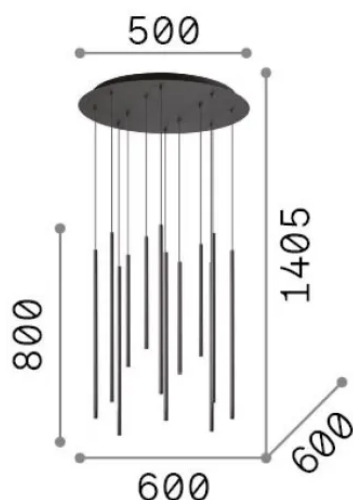
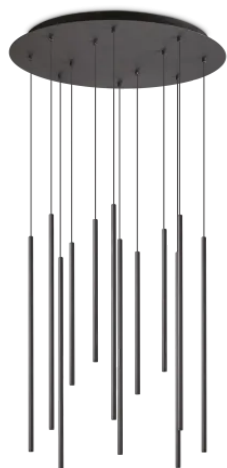


## General info

## Indoor - Suspensions

|              |                         |
|--------------|-------------------------|
| Ean          | 8021696341095           |
| Item         | FILO SP12 NERO 2700K    |
| Installation | Suspensions             |
| Warranty     | 5 years                 |
| Gross weight | 10.4 kg                 |
| Volume       | 0.063536 m <sup>3</sup> |



## Technical info

|                       |  |
|-----------------------|--|
| Net weight            | 8.6 kg   |
| Insulation class      | I  |
| Protection index      | IP20   |
| Compliance            | CE   |
| Operating temperature | 0° ~ +40 °C  |
| Dimmer                | Non-dimmable, On-Off   |
| Power output          | 220-240 V AC 50/60 Hz  |
| Power supply          | In-built, included<br>Replaceable (by qualified operators only),<br>electronic |

## Source info

|                        |   |
|------------------------|---|
| Integrated source      | Integrated LED module                     |
| Replaceable source     | Replaceable (by qualified operators only) |
| Power                  | LED 19 W                                  |
| Emission               | Direct                                    |
| Max consumption        | max 19 W                                  |
| Features LED           | LED SMD                                   |
| CCT LED                | 2700 K                                    |
| Duration LED (t. 25°C) | 20000 h                                   |
| CRI                    | > 90                                      |
| SDCM                   | 3   |
| Light beam             | 45°                                       |
| Light beam flux        | 2050 lm                                   |
| Useful light flux      | 1520 lm                                   |
| Photobiological risk   | 2   |